

# Epsilon Folding Doors

**Configuration:** Single or Double doors

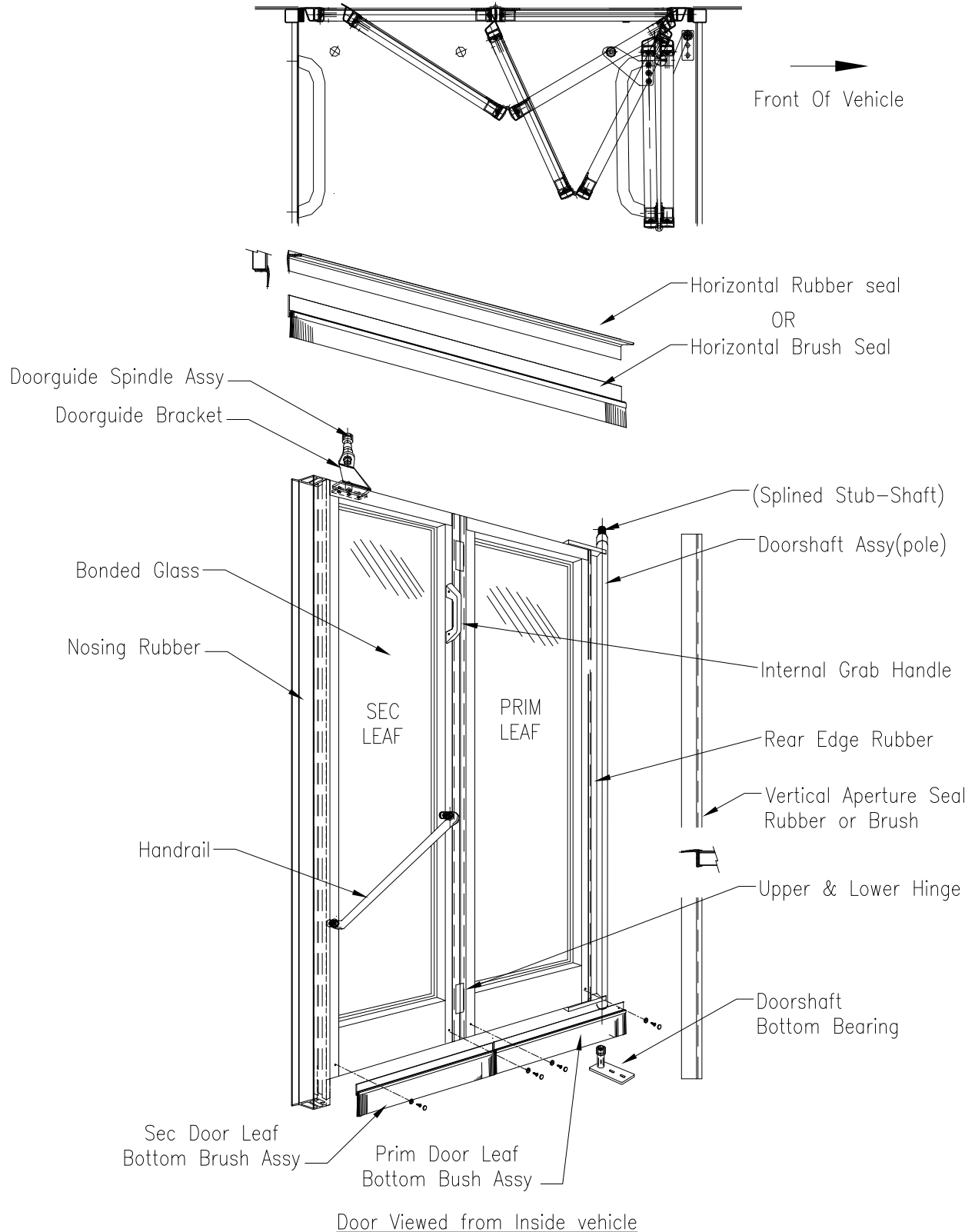
**Movement:** Doors will fold inboard of aperture, either finishing inside or protrude outside of vehicle.

**Applications:** For entrance (front) & Exit (mid) for embark or disembark on off side or nearside of vehicle.

**Control Options:** Pneumatic, Electric or Manual means of operation.

**Material & Finish:** Aluminium extrusion construction & powder coated.

Typical RH Single Folding Door Movement Layout



Door Viewed from Inside vehicle