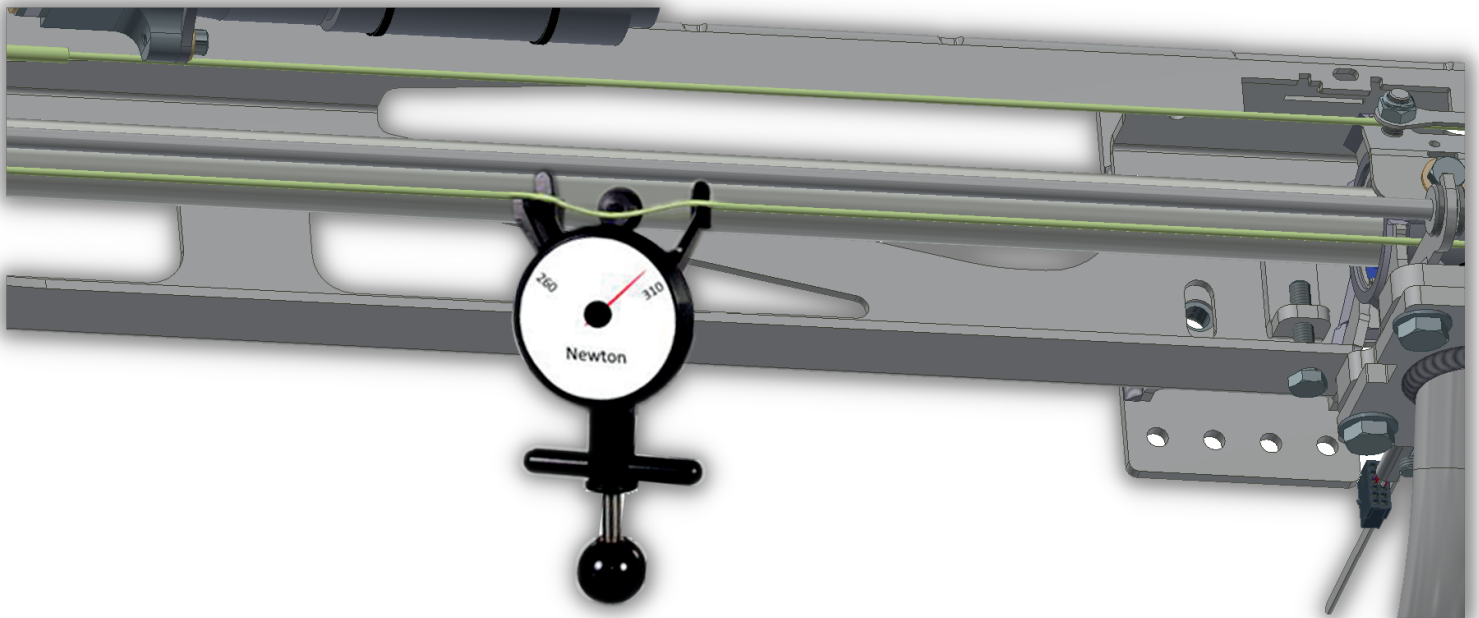


Ventura Systems Tools

Tool: Tension steel cable measurement tool
Part number: K306
Application: Plug Sliding door



Description

For a correct functioning of the door and to prevent aging of parts, the tension of the steel cable in the door system needs to be between 260-310 Newton. This tool can measure the tension of the steel cable and can be used to adjust the cable tension to be according the specification. Consult the maintenance manual for the correct use of this tool.

Disclaimer: maintenance, calibration and proper use of tooling is the responsibility of the customer.