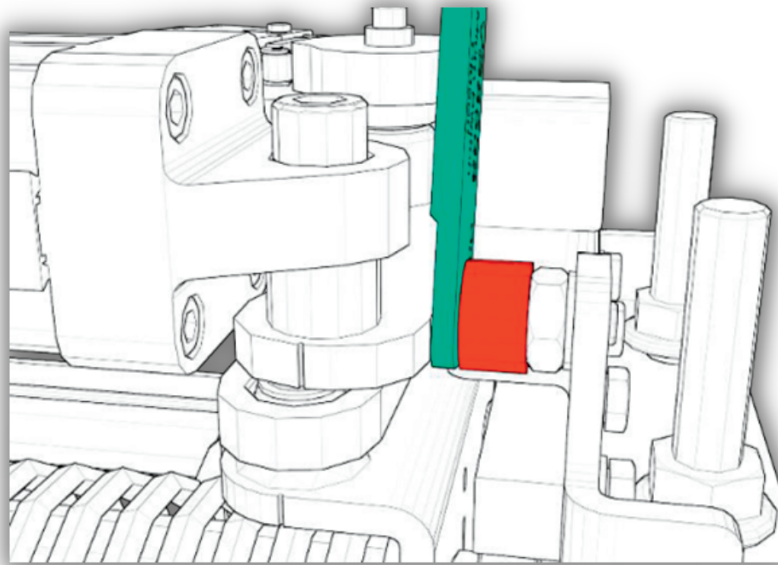


Ventura Systems Tools

Tool: Adjustment tool over center position
Part number: VB8538
Application: Plug Sliding Door (pneumatic/electric)



Description

Door mechanisms with microswitches that go over center can be adjusted by using this adjustment tool. The over center functionality is a safety locking mechanism that prevents the door leaves from opening at low or medium force. This tool helps to precisely adjust the distance between the door mechanism and the end stopper to determine the correct over center position and door leaf position. Consult the commissioning manual for the correct use of this tool.

Disclaimer: maintenance, calibration and proper use of tooling is the responsibility of the customer.