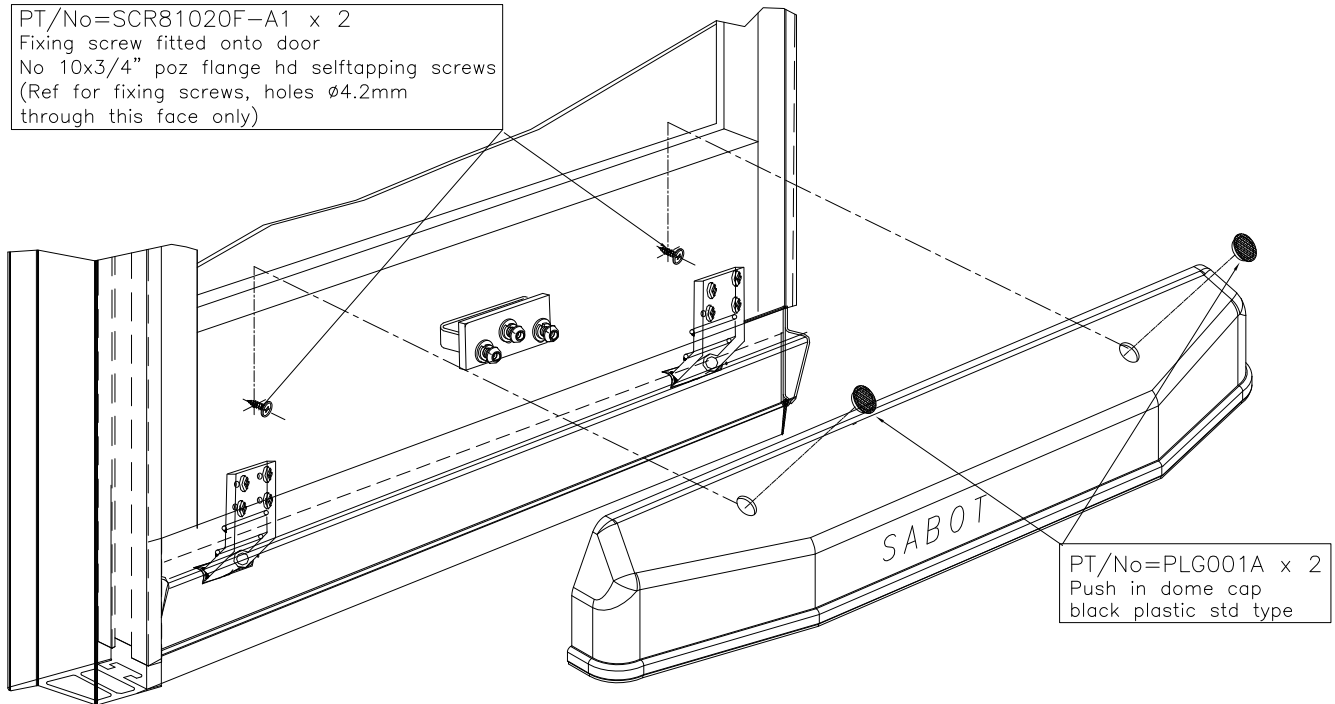


Sabot Removal & Fitting Instructions

- 1st: Remove Black plastic cap either pushing up & out from underneath sabot or prise out from under lip of plug on front face carefully.
- 2nd: Using PZ2 bit screw driver, slacken off fixing screws approx 2-turns anti-clockwise (do not remove screws)
- 3rd: Slide ABS/STEEL Sabot in a upward direction to remove sabot. Reverse action to refit sabots

PT/No=SCR81020F-A1 x 2
Fixing screw fitted onto door
No 10x3/4" poz flange hd selftapping screws
(Ref for fixing screws, holes ø4.2mm
through this face only)



Direction for
sabot removal

