



Service instruction: SM045E
Revision: 1
Date: 05-02-2015
Page no.: 1

Title: Correct mounting of a L312 Schaltbau switch

1. Purpose:

The purpose of this service instruction is to describe the correct way of mounting a L312 Schaltbau switch.

Incorrect mounting of a L312 Schaltbau switch may result in the switch not working, or even a faulty switch. This is caused by overtightening of the fasteners used for mounting the switch.

Revision no.	Date:		
1	05-02-2015	Description of the change:	First release
		Name & function:	K. Slager Technical Documentation Specialist

Title: Correct mounting of a L312 Schaltbau switch

2. References:

- 2.1. ISO 9001 (2008) §7.5.1 Control of production and service provision

3. Definitions:

- 3.1. None

4. Forms:

- 4.1. None

5. Scope:

- 5.1. This service instruction applies to the L312 Schaltbau switch.

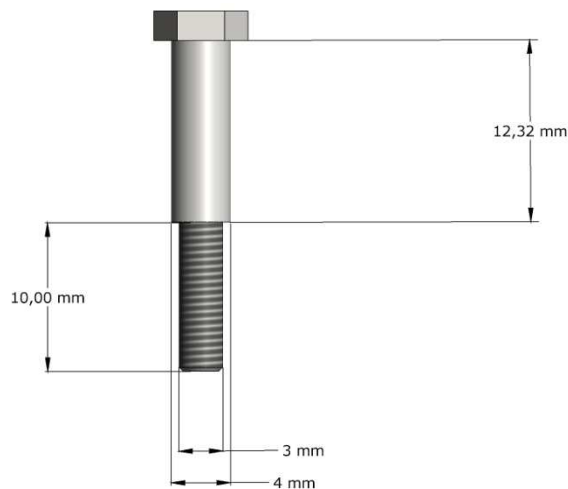
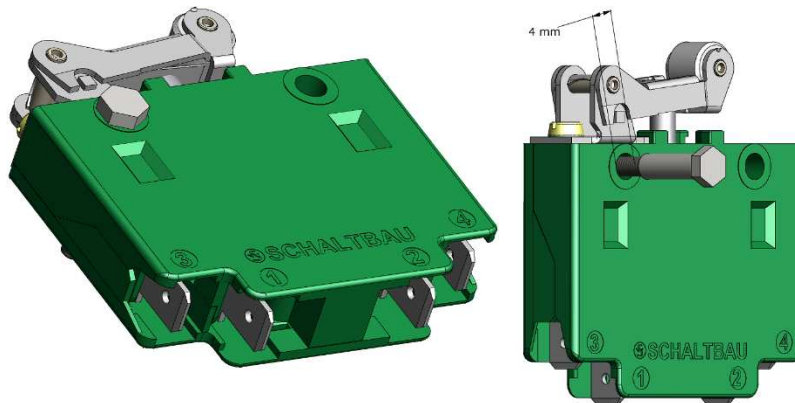
6. Material/Tools:

- 6.1. 5.5mm wrench
- 6.2. 2x Bolt BS-SK, Cyl. L=10mm Ventura P/N I513

Title: Correct mounting of a L312 Schaltbau switch

7. Execution:

- 7.1. Check if the correct fastener is used. The Schaltbau switch should be mounted using the I513 bolt. This hex bolt has a M3 thread and 4mm thick shaft.



If the switch has a different fastener and/or doesn't work, then continue to step 7.2

Title: Correct mounting of a L312 Schaltbau switch

- 7.2. Check if the flange around the mounting hole is not damaged too much.

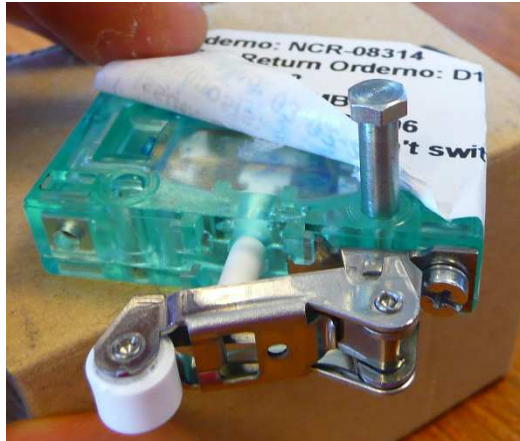


Damage like this is caused by using a fastener with a shaft that isn't long enough.

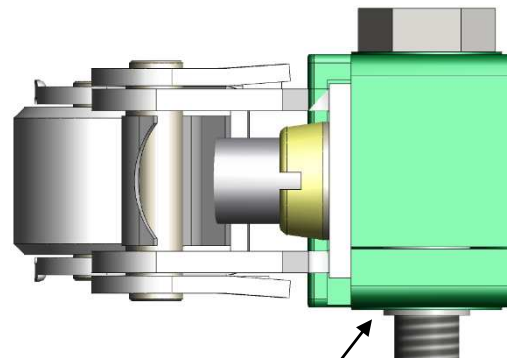


Title: Correct mounting of a L312 Schaltbau switch

- 7.3. Mount the L312 Schaltbau switch using the I513 fasteners. If the fastener won't fit properly, then first insert the fastener from the backside to press the deformed plastic back in shape.



The picture below shows the shaft coming out of the mounting hole from underneath. This is important because the shafts prevents overtightening of the switch, which can cause a faulty switch.



Shaft sticking through mounting hole